

Cable Plates

for Industrial Applications



BRM


Product Information

- BRM type cable entry plates are designed for non-connectorised cables
- Can be used instead of standard cable glands where the space on the enclosure is limited
- Can be used as an economical solution where high strain relief is not required
- Ultra-flexible entrance membrane ensures ingress protection for a large range of cable diameters (i.e. from 5,0 to 13,0 mm)
- Improved strain relief with special back sealing plate design
- With the reusable feature and special back sealing design ensures "close fit" even if a cable is removed.
- Can be used with all kind of enclosures having different wall thickness values with the help of four fixation screws.
- Snap-in assembly is possible with the help of two fixing legs for the enclosures having a wall thickness of 1,5 mm to 2,0 mm.

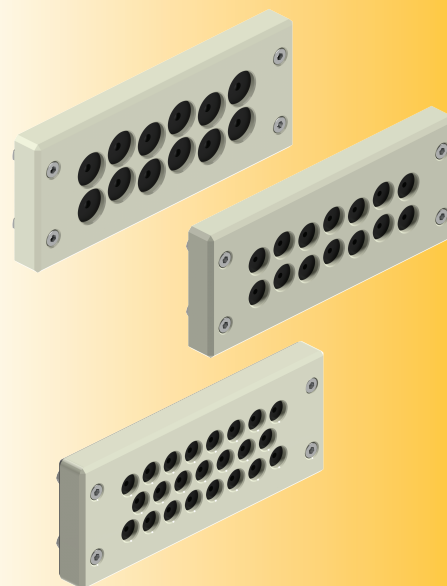
Technical Details

Material	Frames	PA Glass Fibre Reinforced
	Ingress Protection Membrane	BUTYL (IR) RUBBER
	Spacer	Chloroprene
	Obstruction Membrane	Polyurethane
	Frame Seal	Silicone or Polyurethane
Ingress Protection Level	IP65, Type 12, Type 13 Type 4X*	
Fire Class (UL) Flammability	HB Acc. to UL94	
Operating Temperature	-40 °C to +80 °C	
Variants and Clamping Ranges	<ul style="list-style-type: none"> • Blind • 12 Ways for Ø5,0mm - Ø13,0 mm cables • 14 Ways for Ø5,0mm - Ø11,0 mm cables • 22 Ways for 16 x Ø3,0mm - Ø6,5 mm cables 4 x Ø5,0mm - Ø9,2 mm cables 2 x Ø8,0mm - Ø12,5 mm cables • 23 Ways for Ø4,0mm - Ø8,5 mm cables • 29 Ways for Ø4,0mm - Ø7,0 mm cables 	
Enclosure Cut Out	112x36 mm	
Accessories	M4x0,7x20 mm Fitted with M3 Allen Head	
Overall Dimensions	148x60x13,5 mm	
Remarks	*covers all diameters larger than 5.0 mm up to specified maximum diameter	

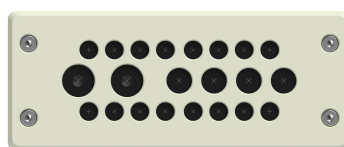
Approvals

Certification Body	Certificate Number	Standard
 TYPE 4x	E467237	UL 508A CSA C22.2 NO. 14 -18
		UL 50E

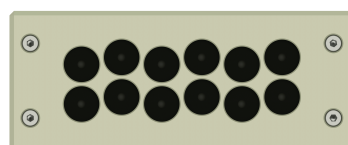
BRM



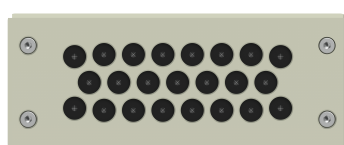
Blind



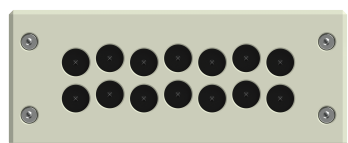
22 Cable Entries



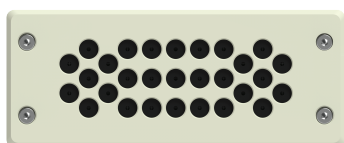
12 Cable Entries



23 Cable Entries

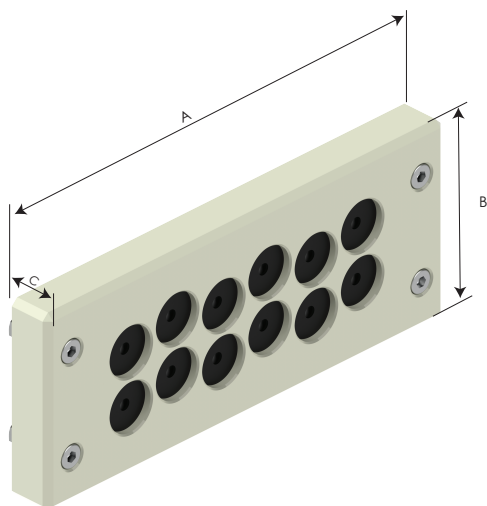


14 Cable Entries

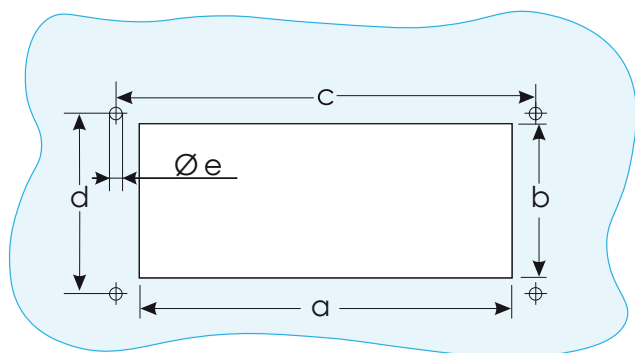


29 Cable Entries

BRM



OVER ALL DIMENSIONS							
Plate Type	No. Of Cable Entries	Clamping Range Ø mm	Frame			Part Number	
			Width A	Height B	Depth C	RAL 7035 light grey	RAL 9005 black
BRM00	0	-	148,0	60,0	13,5	BRM00-1	BRM00-2
BRM12	12	5,0 - 13,0				BRM12-1	BRM12-2
BRM14	14	5,0 - 11,0				BRM14-1	BRM14-2
BRM22	22 (16+4+2)	16 x 3,0 - 6,5				BRM22-1	BRM22-2
		4 x 5,0 - 9,2					
		2 x 8,0 - 12,5					
BRM23	23	4,0 - 8,5	BRM23-1	BRM23-2			
BRM29	29	4,0 - 7,0	BRM29-1	BRM29-2			



CUT-OUT DIMENSIONS					
Plate Type	a mm	b mm	c mm	d mm	e mm
BRM00	112,0	36,0	130,0	32,0	5,0
BRM12					
BRM14					
BRM22					
BRM23					
BRM29					


BPA(S)

Product Information

- The BPA cable entry plates are designed for connectorised and of course for non-connectorised cables.
- They can be used instead of standard cable glands, when the space on the enclosure is limited and also as an economical solution.
- The grommets are pyramidal and their outer surface shapes are conical.
- This conicity ensures high strain relief values, when they are compressed into their conical seats.
- There is no side or back operation.

Technical Details

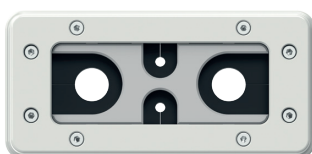
Material	Frames, Plates and Inserts	PA Glass Fibre Reinforced
	Clamping Seals	CR (Chloroprene)
	Main Frame Seal	Polyurethane
	Screws, Locknut	Steel
	Washers (Screws)	NBR
Ingress Protection Level	Type 12,13 Type 4X IP66	
Flammability Rate	HB According to UL94	
Operating Temperature	-40 °C to +80 °C	
Variants and Clamping Ranges	<ul style="list-style-type: none"> • 4 Ways (2 small + 2 large seals) • 7 Ways (6 small + 1 large seals) • 10 Ways (10 small seals) 	
Enclosure Cut Out	112x46 mm	
Fixation Screws	M4x0,7x20 mm Fitted with M3 Allen Head	
Overall Dimensions	156,5x75,5x27,2 mm	

Certification Body	Certificate Number	Standard
 TYPE 4x	E467237	UL 508A CSA C22.2 NO. 14-18
		UL 50E

BPA(S)



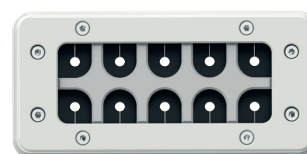
4 Ways



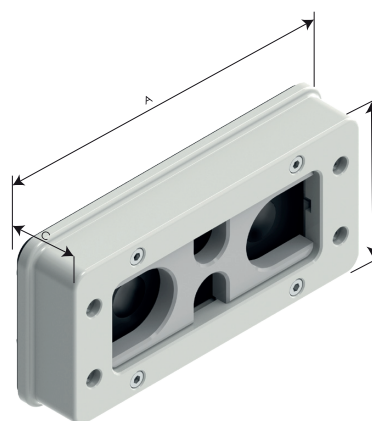
7 Ways



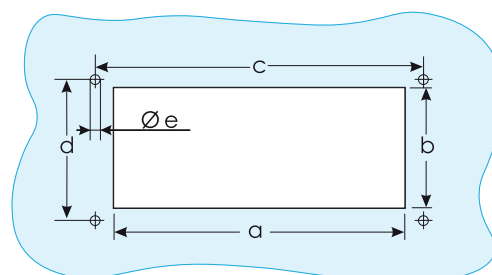
10 Ways



OVER ALL DIMENSIONS					
Plate Type	No. Of Cable Entries	Seal Quantity	Width A	Frame Height B	Depth C
BPA-S 4 Ways	4 (2A+2B)	2 Small (Type A)	156,5	75,5	27,5
		2 Large (Type B)			
BPA-S 7 Ways	7 (6A+1B)	6 Small (Type A)	156,5	75,5	27,5
		1 Large (Type B)			
BPA-S 10 Ways	10 (10A+0B)	10 Small (Type A)	156,5	75,5	27,5



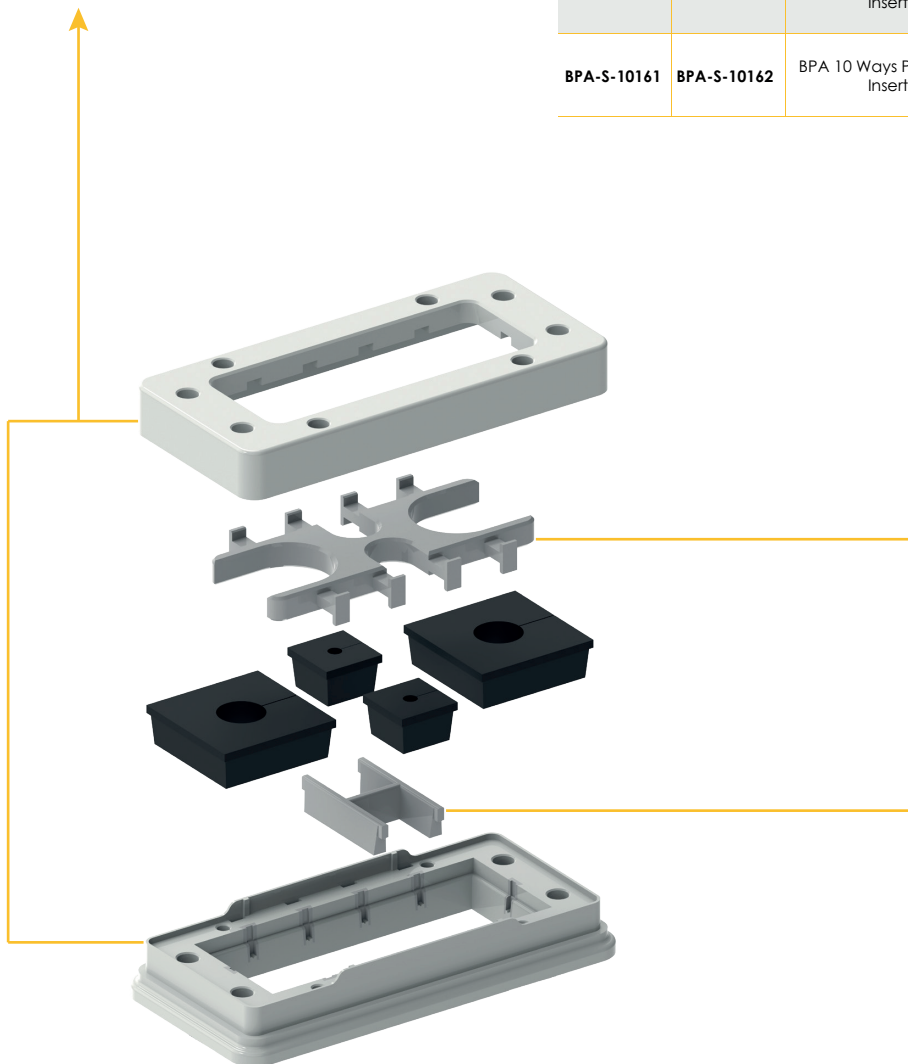
CUT-OUT DIMENSIONS					
Plate Type	a mm	b mm	c mm	d mm	e mm
BPA-S 4 Ways	112,0	46,0	130,0	32,0	5,0
BPA-S 7 Ways					
BPA-S 10 Ways					



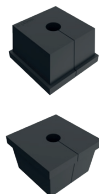
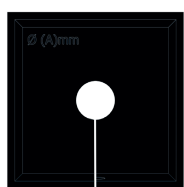
BPA(S)

MAIN FRAME KIT			
Part Number		Description	Sub-Products
RAL 7035 light grey	RAL 9005 black		
BPA-S-00001	BPA-S-00002	BPA Body Assembly Group	Main body Pressure cap Bold & nut kit

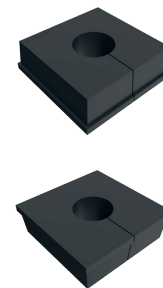
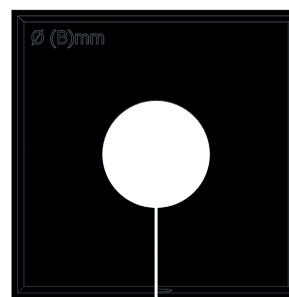
PRESSURE and INSERT KIT			
Part Number		Description	Sub-Products
RAL 7035 light grey	RAL 9005 black		
BPA-S-04161	BPA-S-04162	BPA 4 Ways Pressure and Insert Kit	Pressure plate Central insert
BPA-S-07161	BPA-S-07162	BPA 7 Ways Pressure and Insert Kit	Pressure plate Central insert
BPA-S-10161	BPA-S-10162	BPA 10 Ways Pressure and Insert Kit	Pressure plate Central insert



Cable Entry Plates



TYPE A SEALS		
Part Number	Hole Diameter Ø mm	Clamping Range min. - max. mm
BPA-S-0029C	0 / Blind	0 / Blind
BPA-S-0016C	5,0	3,5 to 5,5
BPA-S-0017C	7,0	5,5 to 7,5
BPA-S-0018C	9,0	7,5 to 9,5
BPA-S-0019C	11,0	9,5 to 11,5
BPA-S-0020C	13,0	11,5 to 13,5
BPA-S-0021C	15,0	13,5 to 15,5



TYPE B SEALS		
Part Number	Hole Diameter Ø mm	Clamping Range min. - max. mm
BPA-S-0030C	0 / Blind	0 / Blind
BPA-S-0022C	17,0	15,5 to 17,5
BPA-S-0023C	19,0	17,5 to 19,5
BPA-S-0024C	21,0	19,5 to 21,5
BPA-S-0025C	23,0	21,5 to 23,5
BPA-S-0026C	25,0	23,5 to 25,5
BPA-S-0027C	27,0	25,5 to 27,5
BPA-S-0028C	29,0	27,5 to 29,5

Contact

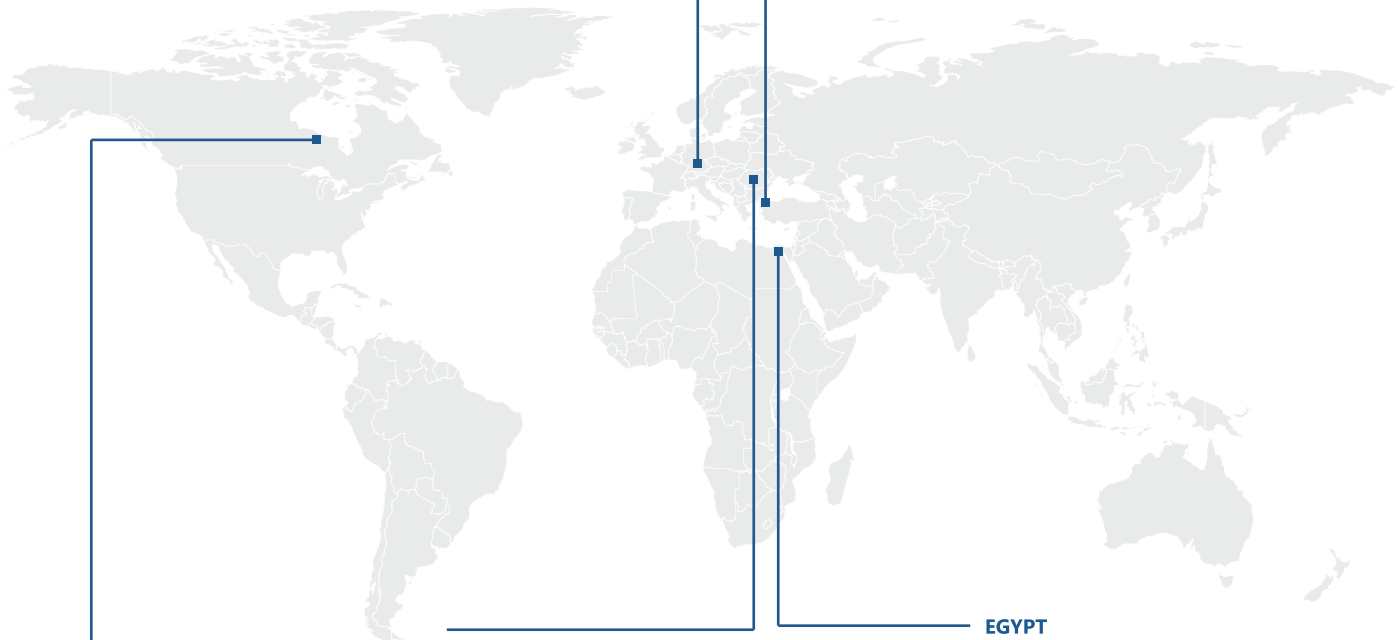
www.bimedteknik.com

GERMANY

BIMED TEKNİK ALETLER SANAYİ VE TİCARET A.Ş.
Hauptstr. 78 b
70563 Stuttgart
Phone: +49 711 40053 800
E-mail: kk@bimedteknik.de

TURKEY – Head Office

BIMED TEKNİK ALETLER SANAYİ VE TİCARET A.Ş.
Bakır ve Pirinc Sanayi Sitesi Orkide Caddesi No 15
34520 Beylikdüzü İstanbul
Phone: +90 212 875-73 76
Fax: +90 212 875-70 52
E-mail: info@bimedteknik.com



NORTH AMERICA

BIMED INDUSTRIAL INC.
1401 - 250 Scarlett Rd.,
Toronto ON M6N 4X5, Canada
Phone: +1 416 354-2537
Fax: +1 416 354-2537
E-mail: rk@bimedindustrial.com

ROMANIA

BIMED TEKNİK ROMANIA SRL
Sat Catanele, Comuna Cateasca,
117221 Oarja - Arges / ROMANIA
E-mail: info@bimedteknik.com

EGYPT

BIMED TEKNİK ALETLER SANAYİ VE TİCARET A.Ş.
The 47th Building, 4th Floor, North 90 Street,
Fifth Settlement New Cairo, Post code: 11835,
P.O. Box 341, Cairo
Phone: +202 2503-2847
Fax: +202 2503-2801
E-mail: milad@bimedteknik.com